

Luxaflex® external screens

RS Classic Screens



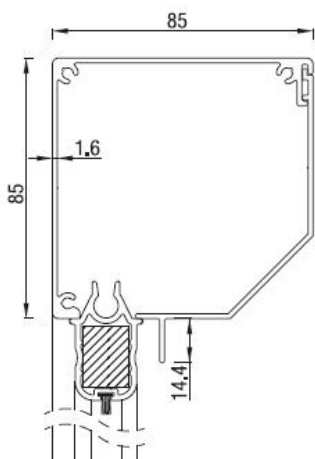
The RS Classic screen system is distinguished by a box with side guide rails, integrated with a PVC or fiberglass fabric, which is durable and resistant to weather conditions such as gusty wind, hail or rain.

Additionally, thanks to the properties of the fabrics, they guarantee optical comfort inside the building.

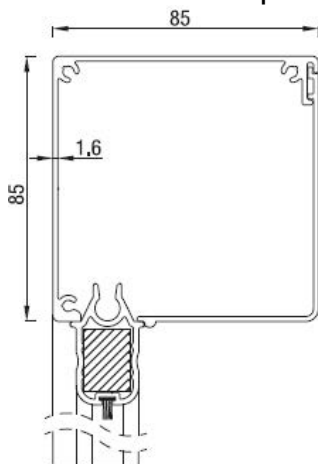
We offer a wide range of shapes and colours of boxes and guide rails, as well as a wide range of fabric colours to optimally adapt to the building facade.

RS Classic Screens

RS Classic 85 - 45°



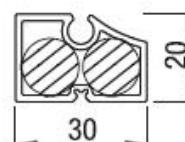
RS Classic 85 - square



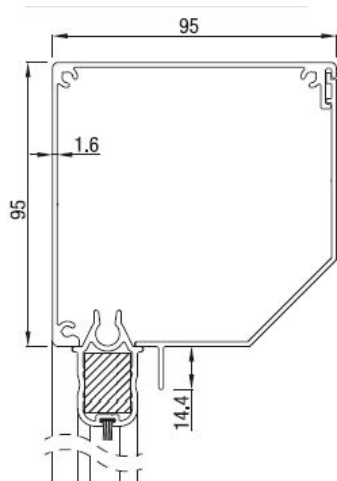
RS Classic 85 - IO motors only

Eolis IO sensor wire free wind sensor (option)

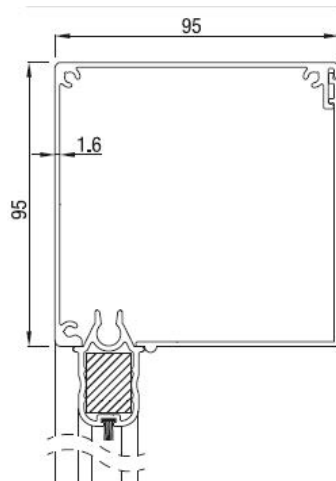
End slat



RS Classic 95 - 45°



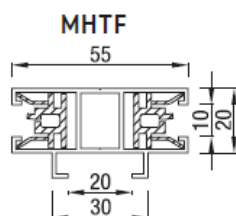
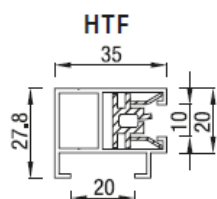
RS Classic 95 - square



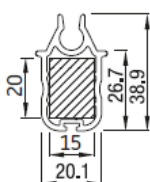
RS Classic 95 - IO motors only

Eolis IO sensor wire free wind sensor (option)

Guide rails



End slat

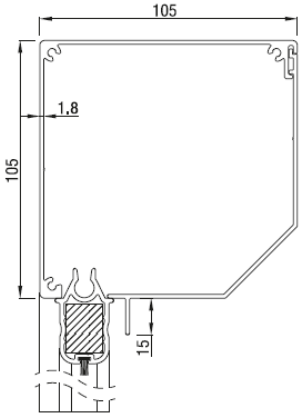


Profile colours

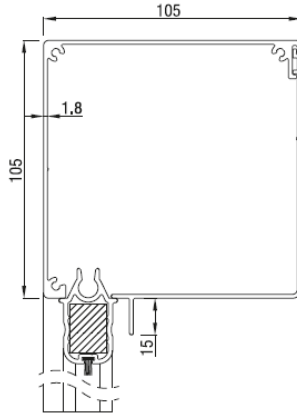


RS Classic Screens

RS Classic 105 - 45°



RS Classic 105 - square

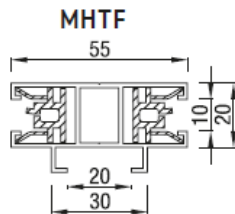
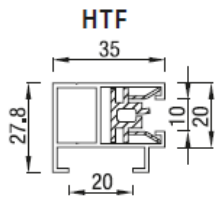


	Maximum width (cm)	height (cm)	area (m ²)
RS Classic 105	450	350	14,0

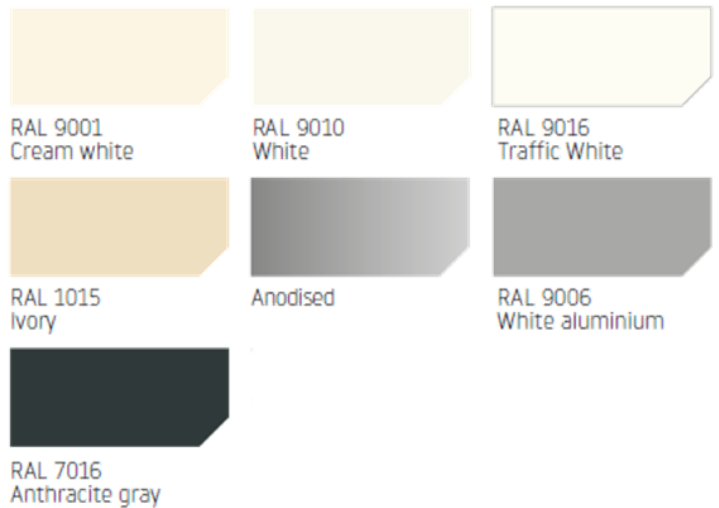
RS Classic 105 - IO motors or Crank control

Eolis IO sensor wire free wind sensor (option)

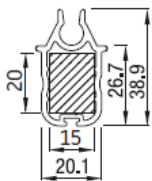
Guide rails



Profile colours

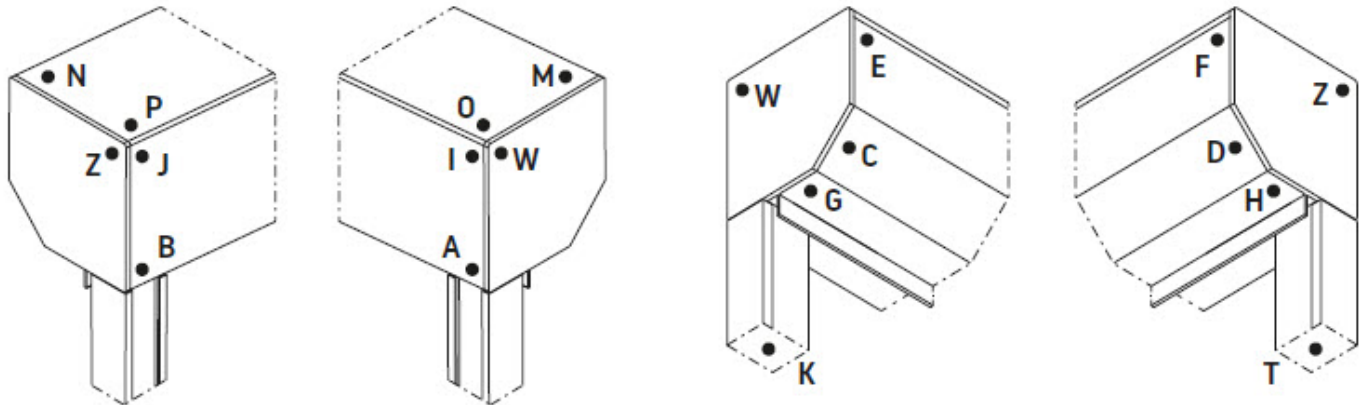


End slat



RS Classic Screens

POSSIBLE OPERATIONAL EXIT OPTIONS



Looking from the outside with standard box installation the operational exit is:

- A - left bottom (back),
- B - right bottom (back),
- C - left on the slated part of the box (front),
- D - right on the slated part of the box (front),
- E - left top (front),
- F - right top (front),
- G - left bottom (front),
- H - right bottom (front),
- I - left top (back),
- J - right top (back),
- K - left through the rail guide,
- T - right through the rail guide,
- M - left front (top),
- N - right front (top),
- O - left back (top),
- P - right back (top),
- W - left cover,
- Z - right cover,